



PIPE COUPLINGS (A/ASIA) PTY LTD

MONOLITHIC ISOLATION JOINTS



Pipe Couplings (PCA) is a worldwide distributor of high quality monolithic isolating joints for the petrochemical industry. Wherever you find pipelines and gas distribution systems you will also find a wide array of reliable PCA monolithic isolation joints. Because of their intrinsic properties, the various types of PCA isolating joints need neither maintenance nor replacement during the entire working life of the pipeline on which they are installed. This provides substantial economic advantages since it allows for great reduction both in installation and running costs.

Corrosion destroys approximately 20% of the worlds annual production of steel. Pipelines, which are mostly buried for the conveyance & distribution of gas, water & other hydrocarbons are particularly prone to corrosion, which can result in serious consequences.

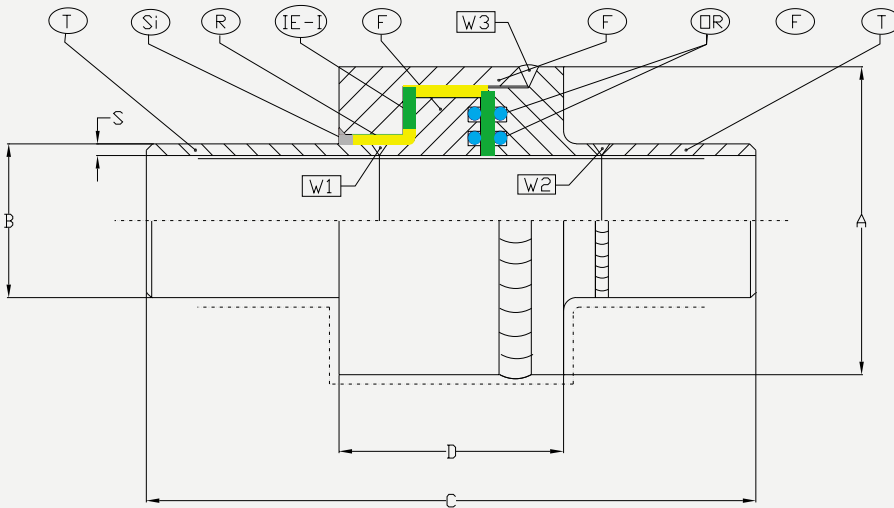
These costly drawbacks and damages can be avoided if pipelines were provided with effective cathodic protection. The electrical insulation on pipelines is achieved by means of special fittings referred to as isolating joints.



PCA monolithic isolation joints are manufactured under a quality assurance system in accordance with the requirements of UNI EN 29002-ISO. This ensures close control over all stages of production and manufacture. PCA isolation joints are designed to meet and satisfy very high

pressure services up to 20,000 psi. For over 30 years we have supplied many onshore and offshore projects and can proudly state that during these years and millions of hours of plant operation, there has never been a seal failure in service.

TECHNICAL SPECIFICATIONS



DESIGN & MATERIAL CODES
ASME-ANSI-ASTM-BS-DIN-UNI

SIZE RANGE: ½" TO 100"

DESIGN PRESSURES
ANSI 150-300/400-600-900
1500-2500- API 10,000

DESIGN TEMP.: - 40 TO 160°C

ELECTRIC CHARACTERISTICS
- ELECTRIC RESISTANCE ≥ 25 MΩ
- BREAKDOWN VOLTAGE ≥ 5 kv 50Hz 1'

LEGEND:

	PIPE PUPS STEEL	T
	FORGED RING	F
	FILLER RESIN	R
	INSULATING RING	IE-I
	SILICON	Si
	SEAL "O" RING	OR

DN	ANSI 150 (PN or DP 25)							ANSI 300-400 (PN or DP 64)							ANSI 600 (PN or DP 100)						
In	B	IT	S	API 5L Gr	A	C	D	S	API 5L Gr	A	C	D	S	API 5L Gr	A	C	D				
1	33.4	25	3.38	B	76	400	92	3.38	B	76	400	92	3.38	B	76	400	92				
2	60.3	50	3.91	B	104	400	106	3.91	B	110	500	108	5.54	B	110	500	108				
3	88.9	80	4.78	B	130	400	114	5.49	B	150	500	114	5.49	B	150	500	116				
4	114.3	100	4.78	B	155	400	120	6.02	B	175	500	120	6.02	B	175	500	130				
6	168.3	150	5.56	B	216	400	134	7.11	X52	240	500	140	7.11	X52	240	500	150				
8	219.1	200	6.35	B	269	400	148	8.18	X52	294	600	160	8.18	X52	294	600	178				
10	273.0	250	6.35	B	320	450	156	8.74	X52	352	700	180	9.27	X52	352	700	204				
12	323.9	300	6.35	B	378	450	160	9.52	X52	404	700	204	9.52	X52	404	700	224				
14	355.6	350	7.92	B	419	600	190	9.52	X52	448	800	214	9.52	X52	453	800	250				
16	406.4	400	7.92	B	478	800	210	10.31	X52	495	800	234	10.31	X52	502	800	274				
18	457.2	450	7.92	B	529	800	224	11.91	X52	546	800	260	11.91	X52	552	800	300				
20	508.0	500	7.92	B	580	900	234	11.91	X52	605	900	274	11.91	X52	609	900	322				
24	609.6	600	9.52	B	695	1000	274	14.27	X52	705	1000	324	14.27	X52	739	1000	358				
26	660.4	650	9.52	B	734	1000	286	14.27	X52	756	1000	336	14.27	X52	783	1200	386				
28	711.2	700	9.52	B	784	1000	296	15.88	X52	815	1200	360	15.88	X52	836	1200	376				
30	762.0	750	9.52	B	840	1000	304	15.88	X52	879	1200	376	15.88	X52	907	1300	426				
32	812.8	800	9.52	B	890	1000	314	19.05	X52	884	1300	390	19.05	X52	946	1300	430				
36	914.4	900	9.52	B	990	1200	330	19.05	X52	1031	1300	440	19.05	X52	1080	1300	492				

NB: DATA SHEET AVAILABLE UPON REQUEST FOR ISOLATING JOINTS > DN36"
LINING AND COATING SPECIFICATIONS AND DATA SHEETS AVAILABLE UPON REQUEST
PCA reserves the right to change or modify item specs without notice.
Size & configuration of I.J.'s can be customised to suit customer applications.



Pipe Couplings (A/Asia) Pty Ltd

P.O.Box 307 Concord, NSW 2137 Sydney Australia

Tel: +61 2 9743 6566 Fax: +61 2 9743 6564 www.pca.net.au