

TRANSITION FITTINGS

Manufactured to: UNI9736: EN1555: EN12201
25-63mm - PN16 - SDR11-PE100

Product Certification
BUREAU VERITAS
Certification



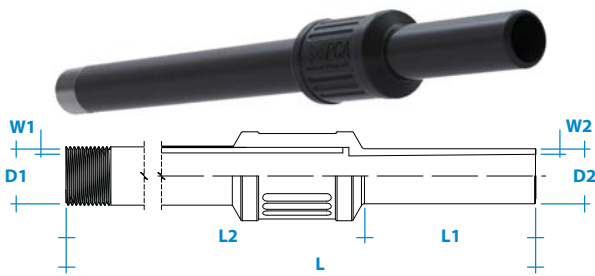
Quality
ISO 9001

STANDARD CONFIGURATIONS

Applications	Metal Options			PE Options	
	Material	Coating	Connector	Material	Colour
Gas	EN10208	None	Welded	PE80	Black
	EN10255				Yellow
Water	API5L	Epoxy	Threaded	PE100	Blue
	Stainless				Lilac
Air	Copper	Zinc			

www.net.au

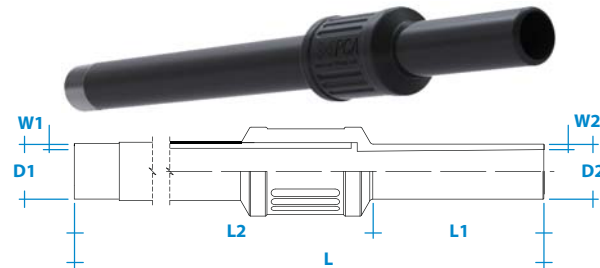
PECOATED THREADED



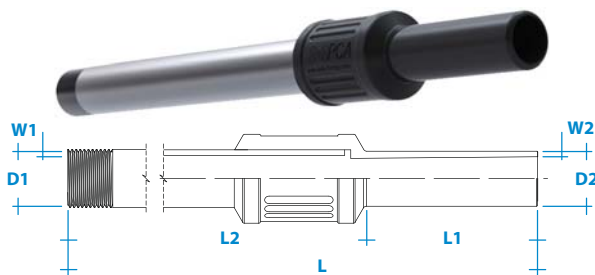
ITEM	D1	D2	L	L1	L2	W1	W2	qty/box
1050-0025	3/4"	25.00	450	100	350	2.6	3.0	24
1050-0032	1"	32.00	450	100	350	3.2	3.0	21
1050-0040	1 1/4"	40.00	450	100	350	3.2	3.7	12
1050-0050	1 1/2"	50.00	450	100	350	3.2	4.6	8
1050-0063	2"	63.00	450	100	350	3.6	5.8	6

ITEM	D1	D2	L	L1	L2	W1	W2	qty/box
1052-0025	3/4"	25.00	450	100	350	2.6	3.0	24
1052-0032	1"	32.00	450	100	350	3.2	3.0	21
1052-0040	1 1/4"	40.00	450	100	350	3.2	3.7	12
1052-0050	1 1/2"	50.00	450	100	350	3.2	4.6	8
1052-0063	2"	63.00	450	100	350	3.6	5.8	6

PECOATED WELDED



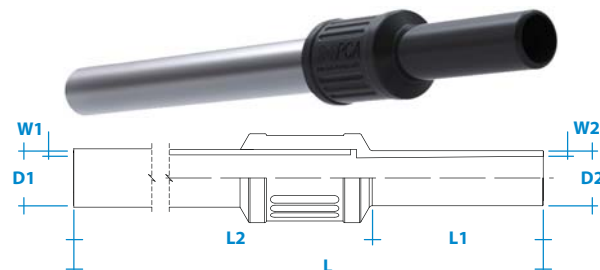
ZINC PLATED THREADED



ITEM	D1	D2	L	L1	L2	W1	W2	qty/box
1055-0025	3/4"	25.00	450	100	350	2.6	3.0	24
1055-0032	1"	32.00	450	100	350	3.2	3.0	21
1055-0040	1 1/4"	40.00	450	100	350	3.2	3.7	12
1055-0050	1 1/2"	50.00	450	100	350	3.2	4.6	8
1055-0063	2"	63.00	450	100	350	3.6	5.8	6

ITEM	D1	D2	L	L1	L2	W1	W2	qty/box
1057-0025	3/4"	25.00	450	100	350	2.6	3.0	24
1057-0032	1"	32.00	450	100	350	3.2	3.0	21
1057-0040	1 1/4"	40.00	450	100	350	3.2	3.7	12
1057-0050	1 1/2"	50.00	450	100	350	3.2	4.6	8
1057-0063	2"	63.00	450	100	350	3.6	5.8	6

ZINC PLATED WELDED



sales@pca.net.au



SERVICEUPSTANDS

Manufactured to: UNI9736: EN1555: EN12201
25-63mm - PN16 - SDR11-PE100

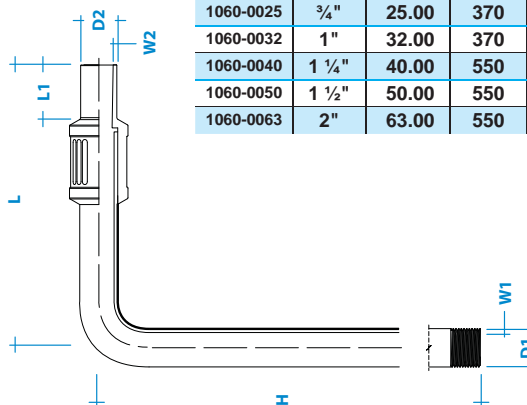
Product Certification
BUREAU VERITAS
Certification



Certified System
Quality
ISO 9001

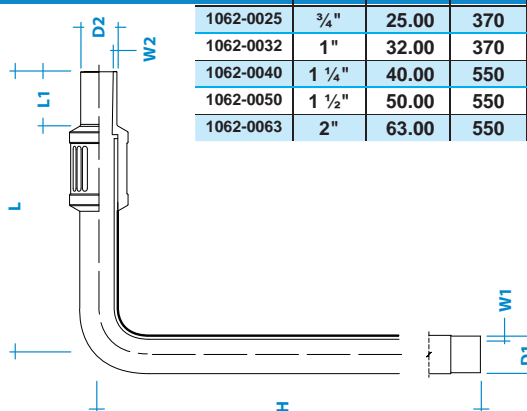
www.pca.net.au

PECOATED THREADED



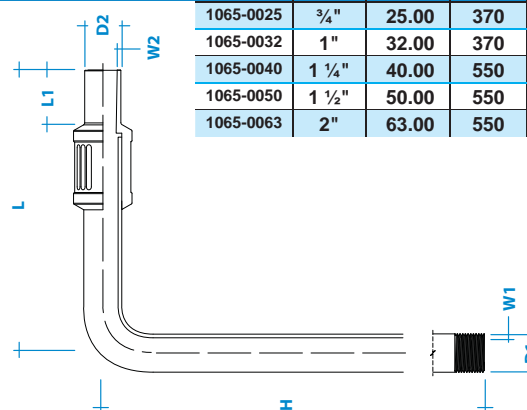
ITEM	D1	D2	L	L1	H	W1	W2	qty/box
1060-0025	3/4"	25.00	370	100	800	2.6	3.0	12
1060-0032	1"	32.00	370	100	800	3.2	3.0	12
1060-0040	1 1/4"	40.00	550	100	600	3.2	3.7	8
1060-0050	1 1/2"	50.00	550	100	600	3.2	4.6	6
1060-0063	2"	63.00	550	100	600	3.6	5.8	6

PECOATED WELDED



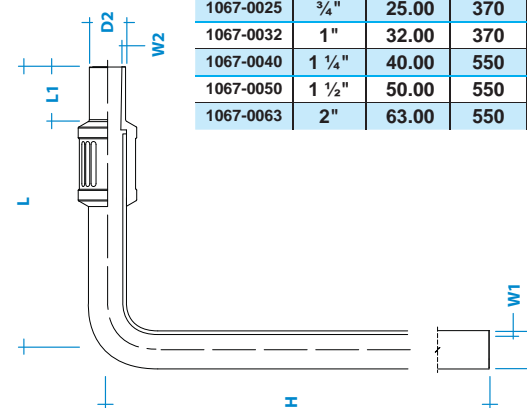
ITEM	D1	D2	L	L1	H	W1	W2	qty/box
1062-0025	3/4"	25.00	370	100	800	2.6	3.0	12
1062-0032	1"	32.00	370	100	800	3.2	3.0	12
1062-0040	1 1/4"	40.00	550	100	600	3.2	3.7	8
1062-0050	1 1/2"	50.00	550	100	600	3.2	4.6	6
1062-0063	2"	63.00	550	100	600	3.6	5.8	6

ZINCPLATED THREADED



ITEM	D1	D2	L	L1	H	W1	W2	qty/box
1065-0025	3/4"	25.00	370	100	800	2.6	3.0	12
1065-0032	1"	32.00	370	100	800	3.2	3.0	12
1065-0040	1 1/4"	40.00	550	100	600	3.2	3.7	8
1065-0050	1 1/2"	50.00	550	100	600	3.2	4.6	6
1065-0063	2"	63.00	550	100	600	3.6	5.8	6

ZINCPLATED WELDED



ITEM	D1	D2	L	L1	H	W1	W2	qty/box
1067-0025	3/4"	25.00	370	100	800	2.6	3.0	12
1067-0032	1"	32.00	370	100	800	3.2	3.0	12
1067-0040	1 1/4"	40.00	550	100	600	3.2	3.7	8
1067-0050	1 1/2"	50.00	550	100	600	3.2	4.6	6
1067-0063	2"	63.00	550	100	600	3.6	5.8	6

sales@pca.net.au



TRANSITION FITTINGS

Manufactured to: UNI9736: EN1555: EN12201

75-250+mm - PN16 - SDR11- PE80/100



Quality
ISO 9001

www.pca.net.au

POLYETHYLENE/STEEL

Applications	Metal Options			PE Options	
	Material	Coating	Connector	Material	Colour
Gas	EN10208	None	Welded	PE80	Black
	EN10255	PE			Yellow
Water	API5L	Epoxy	Threaded	PE100	Blue
	STAINLESS STEEL	Zinc			Lilac



Size	Steel Dimensions			PE Dimensions AS/NZS 4130:2009		
	Diam	WT	Length (A)	Diam	SDR11	Length (B)
75	2 1/2"	3.2	300	75	6.8	200
90	3"	3.2	300	90	8.2	200
110	4"	3.6	300	110	10.0	200
125	4"	3.6	300	125	11.4	200
140	5"	5.0	300	140	12.7	250
160	6"	5.0	350	160	14.6	250
180	6"	5.0	350	180	16.4	250
200	8"	5.6	400	200	18.2	300
225	8"	5.6	400	225	20.5	300
250 +	Please call for specs and prices for fittings 250mm and above					



*All Dimensions in mm. PCA reserves the right to change or modify item specs without notice.
Size & configuration of fittings can be customised to suit customer applications.

sales@pca.net.au

